

**Fast CMOS Octal D
Registers (3-State)**

Product Features:

- PI74FCT374/534/574/2374/2574T is pin compatible with bipolar FAST™ Series at a higher speed and lower power consumption
- 25Ω series resistor on all outputs (FCT2XXX only)
- TTL input and output levels
- Low ground bounce outputs
- Extremely low static power
- Hysteresis on all inputs
- Industrial operating temperature range: -40°C to +85°C
- Packages available:
 - 20-pin 173 mil wide plastic TSSOP (L)
 - 20-pin 300 mil wide plastic DIP (P)
 - 20-pin 150 mil wide plastic QSOP (Q)
 - 20-pin 150 mil wide plastic TQSOP (R)
 - 20-pin 300 mil wide plastic SOIC (S)

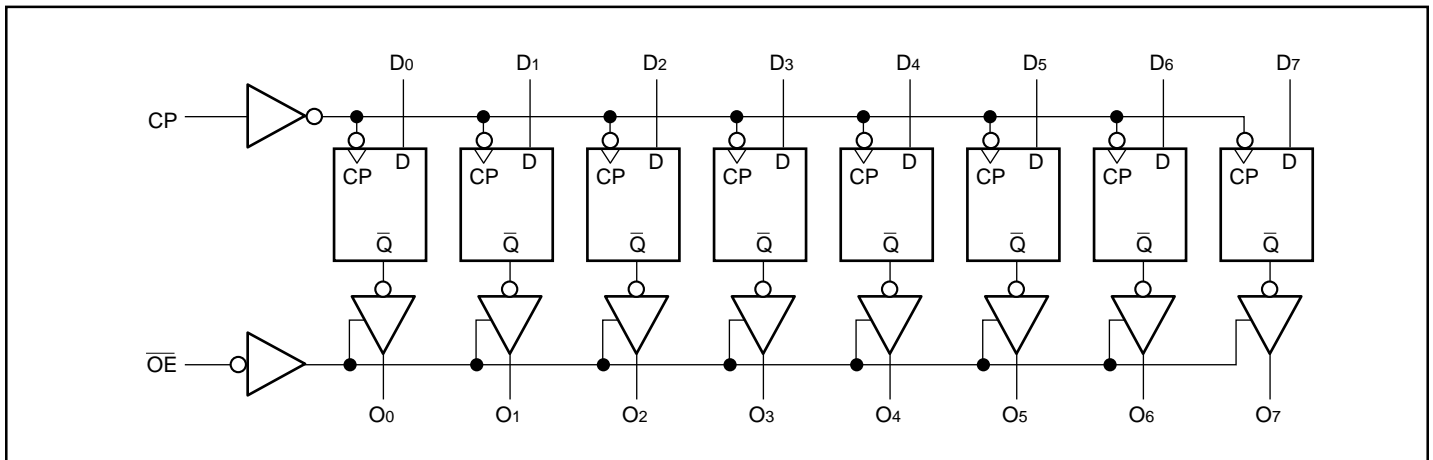
Product Description:

Pericom Semiconductor's PI74FCT series of logic circuits are produced in the Company's advanced 0.6/0.8 micron CMOS technology, achieving industry leading speed grades. All PI74FCT2XXX devices have a built-in 25 ohm series resistor on all outputs to reduce noise resulting from reflections, thus eliminating the need for an external terminating resistor.

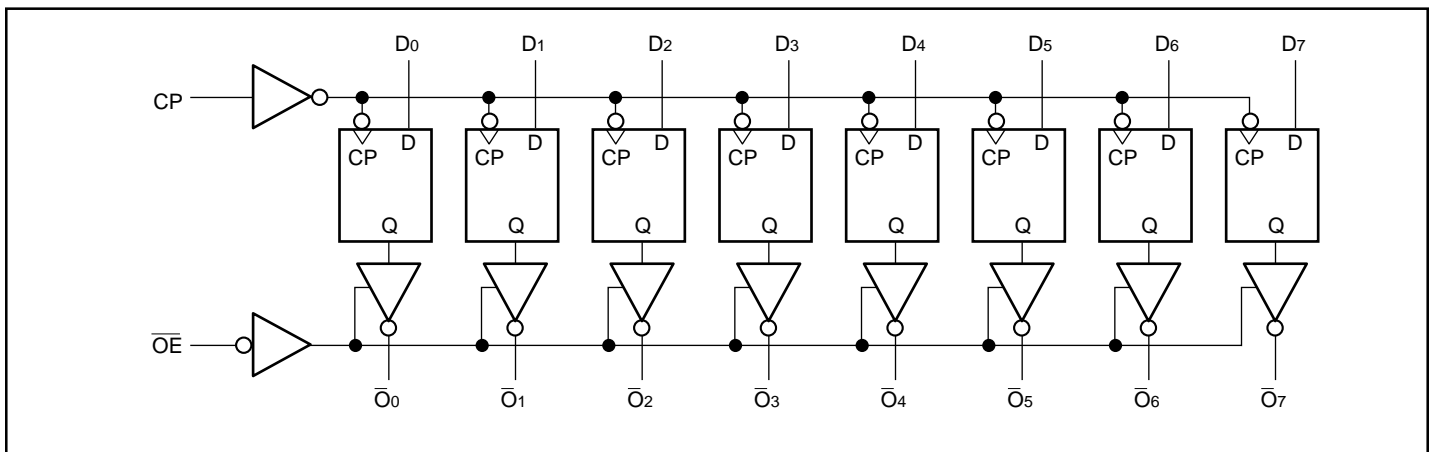
The PI74FCT374T/534T/574T and PI74FCT2374T/2574T are 8-bit wide octal registers designed with eight D-type flip-flops with a buffered common clock and buffered 3-state outputs. When output enable (\overline{OE}) is LOW, the outputs are enabled. When \overline{OE} is HIGH, the outputs are in the high impedance state. Input data meeting the setup and hold time requirements of the D inputs is transferred to the O outputs on the LOW-to-HIGH transition of the clock input.

Device models available upon request.

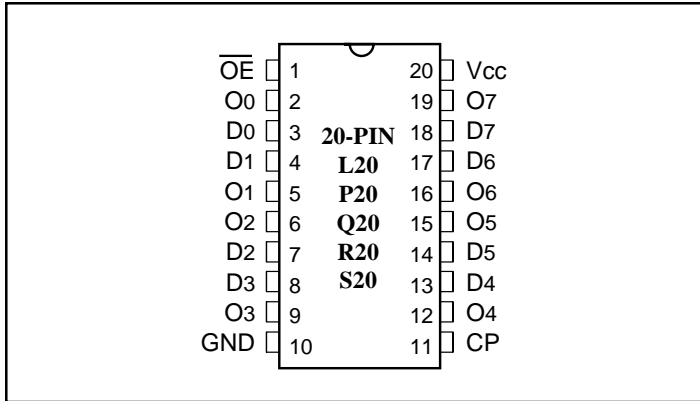
PI74FCT374/2374T and PI74FCT574/2574T Logic Block Diagram



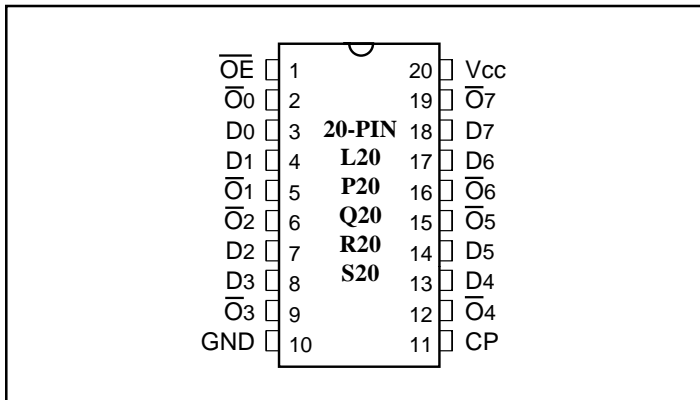
PI74FCT534T Logic Block Diagram



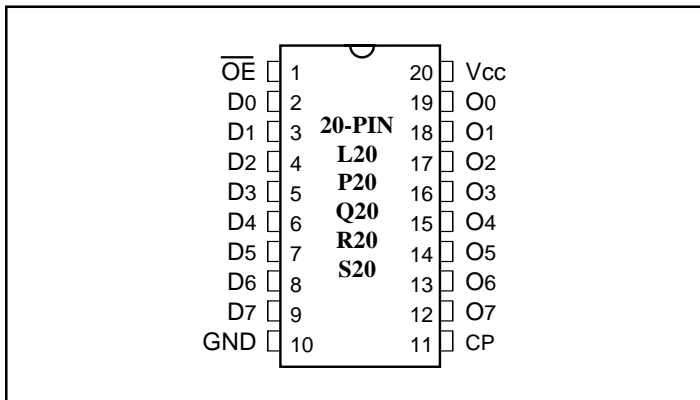
PI74FCT374/2374T Product Pin Configuration



PI74FCT534T Product Pin Configuration



PI74FCT574/2574T Product Pin Configuration



Product Pin Description

| Pin Name | Description |
|-------------------------------|---|
| \overline{OE} | Output Enable Input (Active LOW) |
| CP | Clock Pulse for the register. Enters data on LOW-to-HIGH transition |
| D0-D7 | Data Inputs |
| O0-O7 | 3-State Outputs (true) |
| $\overline{O0}-\overline{O7}$ | 3-State Outputs (inverted) |
| GND | Ground |
| Vcc | Power |

PI74FCT534T Truth Table⁽¹⁾

| Function | Inputs | | | Outputs | Internal |
|---------------|-----------------|----|----------------|------------------|----------------|
| | \overline{OE} | CP | D _N | $\overline{O_N}$ | Q _N |
| High-Z | H | L | X | Z | NC |
| | H | H | X | Z | NC |
| Load Register | L | ↑ | L | H | L |
| | L | ↑ | H | L | H |
| | H | ↑ | L | Z | L |
| | H | ↑ | H | Z | H |

PI74FCT374/574/2374/2574T Truth Table⁽¹⁾

| Function | Inputs | | | Outputs | Internal |
|---------------|-----------------|----|----------------|----------------|------------------|
| | \overline{OE} | CP | D _N | O _N | $\overline{Q_N}$ |
| High-Z | H | L | X | Z | NC |
| | H | H | X | Z | NC |
| Load Register | L | ↑ | L | L | H |
| | L | ↑ | H | H | L |
| | H | ↑ | L | Z | H |
| | H | ↑ | H | Z | L |

- H = High Voltage Level
 L = Low Voltage Level
 X = Don't Care
 Z = High Impedance
 NC = No Change
 ↑ = LOW-to-HIGH transition



Maximum Ratings

(Above which the useful life may be impaired. For user guidelines, not tested.)

| | |
|---|-----------------|
| Storage Temperature | -65°C to +150°C |
| Ambient Temperature with Power Applied | -40°C to +85°C |
| Supply Voltage to Ground Potential (Inputs & Vcc Only) | -0.5V to +7.0V |
| Supply Voltage to Ground Potential (Outputs & D/O Only) | -0.5V to +7.0V |
| DC Input Voltage | -0.5V to +7.0V |
| DC Output Current | 120 mA |
| Power Dissipation | 0.5W |

Note:

Stresses greater than those listed under MAXIMUM RATINGS may cause permanent damage to the device. This is a stress rating only and functional operation of the device at these or any other conditions above those indicated in the operational sections of this specification is not implied. Exposure to absolute maximum rating conditions for extended periods may affect reliability.

DC Electrical Characteristics (Over the Operating Range, TA = -40°C to +85°C, VCC = 5.0V ± 5%)

| Parameters | Description | Test Conditions ⁽¹⁾ | | Min. | Typ ⁽²⁾ | Max. | Units |
|------------|-----------------------|--|--------------------------|------|--------------------|------|-------|
| VOH | Output HIGH Voltage | VCC = Min., VIN = VIH or VIL | IOH = -15.0 mA | 2.4 | 3.0 | | V |
| VOL | Output LOW Current | VCC = Min., VIN = VIH or VIL | IOL = 64 mA | | 0.3 | 0.55 | V |
| VOL | Output LOW Current | VCC = Min., VIN = VIH or VIL | IOL = 12 mA (25Ω Series) | | 0.3 | 0.50 | V |
| VIH | Input HIGH Voltage | Guaranteed Logic HIGH Level | | 2.0 | | | V |
| VIL | Input LOW Voltage | Guaranteed Logic LOW Level | | | | 0.8 | V |
| IiH | Input HIGH Current | VCC = Max. | VIN = VCC | | | 1 | μA |
| IiL | Input LOW Current | VCC = Max. | VIN = GND | | | -1 | μA |
| IOZH | High Impedance | VCC = MAX. | VOUT = 2.7V | | | 1 | μA |
| IOZL | Output Current | | VOUT = 0.5V | | | -1 | μA |
| VIK | Clamp Diode Voltage | VCC = Min., IIN = -18 mA | | | -0.7 | -1.2 | V |
| IOFF | Power Down Disable | VCC = GND, VOUT = 4.5V | | — | — | 100 | μA |
| Ios | Short Circuit Current | VCC = Max. ⁽³⁾ , VOUT = GND | | -60 | -120 | | mA |
| VH | Input Hysteresis | | | | 200 | | mV |

Capacitance (TA = 25°C, f = 1 MHz)

| Parameters ⁽⁴⁾ | Description | Test Conditions | Typ | Max. | Units |
|---------------------------|--------------------|-----------------|-----|------|-------|
| CIN | Input Capacitance | VIN = 0V | 6 | 10 | pF |
| COUT | Output Capacitance | VOUT = 0V | 8 | 12 | pF |

Notes:

1. For Max. or Min. conditions, use appropriate value specified under Electrical Characteristics for the applicable device type.
2. Typical values are at VCC = 5.0V, +25°C ambient and maximum loading.
3. Not more than one output should be shorted at one time. Duration of the test should not exceed one second.
4. This parameter is determined by device characterization but is not production tested.

Power Supply Characteristics

| Parameters | Description | Test Conditions ⁽¹⁾ | | Min. | Typ ⁽²⁾ | Max. | Units |
|------------------|---|--|--|------|--------------------|---------------------|------------|
| I _{CC} | Quiescent Power Supply Current | V _{CC} = Max. | V _{IN} = GND or V _{CC} | | 0.1 | 500 | μA |
| ΔI _{CC} | Supply Current per Input @ TTL HIGH | V _{CC} = Max. | V _{IN} = 3.4V ⁽³⁾ | | 0.5 | 2.0 | mA |
| I _{CCD} | Supply Current per Input per MHz ⁽⁴⁾ | V _{CC} = Max., Outputs Open OE = GND One Input Toggling 50% Duty Cycle | V _{IN} = V _{CC} V _{IN} = GND | | 0.15 | 0.25 | mA/ MHz |
| I _C | Total Power Supply Current ⁽⁶⁾ | V _{CC} = Max., Outputs Open f _{CP} = 10 MHz 50% Duty Cycle OE = GND fi = 5 MHz One Bit Toggling | V _{IN} = V _{CC} V _{IN} = GND | | 1.5 | 3.5 ⁽⁵⁾ | mA |
| | | | V _{IN} = 3.4V V _{IN} = GND | | 2.0 | 5.5 ⁽⁵⁾ | |
| | | V _{CC} = Max., Outputs Open f _{CP} = 10 MHz 50% Duty Cycle OE = GND Eight Bits Toggling fi = 2.5 MHz 50% Duty Cycle | V _{IN} = V _{CC} V _{IN} = GND | | 3.8 | 7.3 ⁽⁵⁾ | |
| | | | V _{IN} = 3.4V V _{IN} = GND | | 6.0 | 16.3 ⁽⁵⁾ | |

Notes:

- For conditions shown as Max. or Min., use appropriate value specified under Electrical Characteristics for the applicable device.
- Typical values are at V_{CC} = 5.0V, +25°C ambient.
- Per TTL driven input (V_{IN} = 3.4V); all other inputs at V_{CC} or GND.
- This parameter is not directly testable, but is derived for use in Total Power Supply Calculations.
- Values for these conditions are examples of the I_{CC} formula. These limits are guaranteed but not tested.
- I_C = I_{QUIESCENT} + I_{INPUTS} + I_{DYNAMIC}
 $I_C = I_{CC} + \Delta I_{CC} D_H N_T + I_{CCD} (f_{CP}/2 + f_i N_i)$
 I_{CC} = Quiescent Current
 ΔI_{CC} = Power Supply Current for a TTL High Input (V_{IN} = 3.4 V)
 D_H = Duty Cycle for TTL Inputs High
 N_T = Number of TTL Inputs at D_H
 I_{CCD} = Dynamic Current Caused by an Input Transition Pair (HLH or LHL)
 f_{CP} = Clock Frequency for Register Devices (Zero for Non-Register Devices)
 f_i = Input Frequency
 N_i = Number of Inputs at f_i
 All currents are in milliamps and all frequencies are in megahertz.



PI74FCT374/2374T Switching Characteristics over Operating Range

| Parameters | Description | Conditions ⁽¹⁾ | 374T/2374T | | 374AT/2374AT | | 374CT/2374CT | | 374DT | | Unit |
|--------------|--|---------------------------|------------|------|--------------|-----|--------------|-----|-------|-----|------|
| | | | Com. | | Com. | | Com. | | Com. | | |
| | | | Min | Max | Min | Max | Min | Max | Min | Max | |
| tPLH tPHL | Propagation Delay CP to ON | CL = 50 pF RL = 500Ω | 2.0 | 10.0 | 2.0 | 6.5 | 2.0 | 5.2 | 2.0 | 4.5 | ns |
| tpZH tpZL | Output Enable Time OE to ON | | 1.5 | 12.5 | 1.5 | 6.5 | 1.5 | 5.5 | 1.5 | 5.5 | ns |
| tpHZ tPLZ | Output Disable Time ⁽³⁾ OE to ON | | 1.5 | 8.0 | 1.5 | 5.5 | 1.5 | 5.0 | 1.5 | 5.0 | ns |
| tsu | Setup Time HIGH or LOW, DN to CP | | 2.0 | — | 2.0 | — | 2.0 | — | 2.0 | — | ns |
| th | Hold Time HIGH or LOW, DN to CP | | 1.5 | — | 1.5 | — | 1.5 | — | 1.0 | — | ns |
| tw | CP Pulse Width ⁽³⁾ HIGH or LOW | | 7.0 | — | 5.0 | — | 5.0 | — | 3.0 | — | ns |

PI74FCT534T Switching Characteristics over Operating Range

| Parameters | Description | Conditions ⁽¹⁾ | 534T | | 534AT | | 534CT | | 534DT | | Unit |
|--------------|--|---------------------------|------|------|-------|-----|-------|-----|-------|-----|------|
| | | | Com. | | Com. | | Com. | | Com. | | |
| | | | Min | Max | Min | Max | Min | Max | Min | Max | |
| tPLH tPHL | Propagation Delay CP to ON | CL = 50 pF RL = 500Ω | 2.0 | 10.0 | 2.0 | 6.5 | 2.0 | 5.2 | 2.0 | 4.5 | ns |
| tpZH tpZL | Output Enable Time OE to ON | | 1.5 | 12.5 | 1.5 | 6.5 | 1.5 | 5.5 | 1.5 | 5.5 | ns |
| tpHZ tPLZ | Output Disable Time ⁽³⁾ OE to ON | | 1.5 | 8.0 | 1.5 | 5.5 | 1.5 | 5.0 | 1.5 | 5.0 | ns |
| tsu | Setup Time HIGH or LOW, DN to CP | | 2.0 | — | 2.0 | — | 2.0 | — | 2.0 | — | ns |
| th | Hold Time HIGH or LOW, DN to CP | | 1.5 | — | 1.5 | — | 1.5 | — | 1.0 | — | ns |
| tw | CP Pulse Width ⁽³⁾ HIGH or LOW | | 7.0 | — | 5.0 | — | 5.0 | — | 3.0 | — | ns |

Notes:

1. See test circuit and wave forms.
2. Minimum limits are guaranteed but not tested on Propagation Delays.
3. This parameter is guaranteed but not production tested.



PI74FCT574/2574T Switching Characteristics over Operating Range

| Parameters | Description | Conditions ⁽¹⁾ | 574T/2574T | | 574AT/2574AT | | 574CT/2574CT | | 574DT | | Unit |
|--------------|--|---------------------------|------------|------|--------------|-----|--------------|-----|-------|-----|------|
| | | | Com. | | Com. | | Com. | | Com. | | |
| | | | Min | Max | Min | Max | Min | Max | Min | Max | |
| tPLH tPHL | Propagation Delay CP to $\overline{O_N}$ | CL = 50 pF RL = 500Ω | 2.0 | 8.5 | 2.0 | 6.5 | 2.0 | 5.2 | 2.0 | 4.5 | ns |
| tpZH tpZL | Output Enable Time $\overline{O_E}$ to ON | | 1.5 | 10.0 | 1.5 | 6.5 | 1.5 | 5.5 | 1.5 | 5.5 | ns |
| tpHZ tPLZ | Output Disable Time ⁽³⁾ $\overline{O_E}$ to ON | | 1.5 | 6.5 | 1.5 | 5.5 | 1.5 | 5.0 | 1.5 | 5.0 | ns |
| tsU | Setup Time HIGH or LOW, DN to CP | | 2.0 | — | 2.0 | — | 2.0 | — | 2.0 | — | ns |
| th | Hold Time HIGH or LOW, DN to CP | | 1.5 | — | 1.5 | — | 1.5 | — | 1.0 | — | ns |
| tw | CP Pulse Width ⁽³⁾ HIGH or LOW | | 7.0 | — | 5.0 | — | 5.0 | — | 3.0 | — | ns |

Notes:

1. See test circuit and wave forms.
2. Minimum limits are guaranteed but not tested on Propagation Delays.
3. This parameter is guaranteed but not production tested.